

# REALSTONE

## GRANITE PRODUCTS

Model 35R = 10 semi-round stones per layer  
Model 48R = 13 semi-round stones per layer

Questions? 226-237-2020 | [www.GraniteFirePits.ca](http://www.GraniteFirePits.ca)

For Models: 35R, 48R

### How to build your fire granite pit



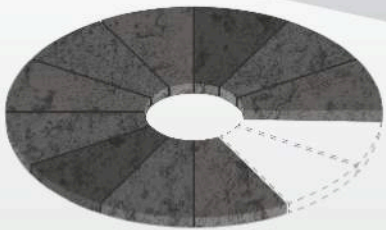
**1** Mark out the outer diameter circle with spray paint. Remove sod, stones and roots inside circle.



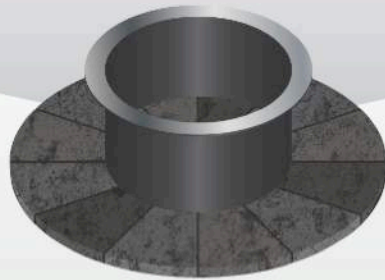
**2** Dig 5" depth to outside diameter of paving stones, check for level and remove any high spots.



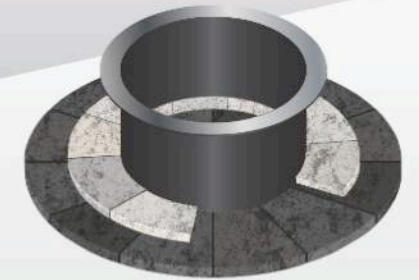
**3** Fill fire pit hole with A-gravel, level and tamp down.



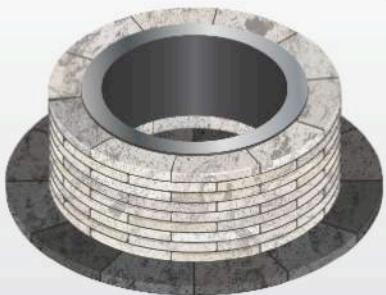
**4** Lay fire pit pavers (if purchased) on top of gravel.



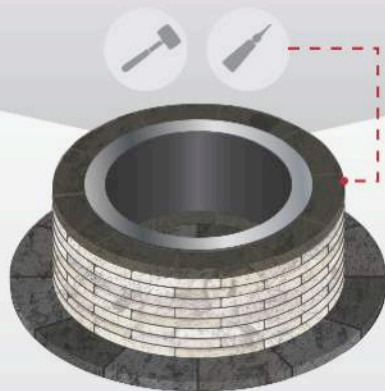
**5** Place steel ring centred on top of pavers.



**6** Lay first layer of granite fire pit stones around ring.



**7** Lay all consecutive layers of fire pit stone. Be sure to stagger joints on each layer. Tuck top layer under flange.



**8** Use rubber mallet to snug up stones against fire ring. Add adhesive to top stones if you wish for children's safety.



**9** Enjoy safely with family and friends. We recommend use of a spark screen.



# Warning

For your safety  
For Outdoor Use Only

1. This fire pit / fire table is for outdoor use only, and shall NOT be used in a building, garage, or any enclosed area.
2. Do NOT use this outdoor fire pit for indoor heating. TOXIC carbon monoxide fumes can accumulate and cause asphyxiation.
3. This outdoor fire pit is NOT to be operated by children.
4. Always use in accordance with all applicable local, state, provincial and national codes.  
Contact your local fire department for details on outdoor burning.
5. When using this outdoor fire pit, exercise the same precautions you would with any open fire.
6. The use of alcohol, prescription or non-prescription drugs may impair the operator's ability to properly assemble or safely operate this outdoor fire pit.
7. Do NOT store or use gasoline or other flammable vapors or liquids in the vicinity of this or any other appliance.
8. Do NOT store or use an LP gas cylinder within 10 feet (3.05 m) of this outdoor fire pit while it is in operation.
9. Do NOT use this outdoor fire pit near automobiles, trucks, vans or recreational vehicles.
10. Do NOT use this outdoor fire pit under any overhead or near any unprotected combustible constructions.  
Avoid using near or under overhanging trees and shrubs.
11. Always use this outdoor fire pit on a hard, level non-combustible surface such a concrete, rock or stone.  
An asphalt or blacktop surface may not be acceptable for this purpose.
12. Do NOT use in extreme windy conditions.
13. Do NOT leave a lit outdoor fire pit unattended, especially around children and pets
14. Use heat-resistant gloves or hot pads when contacting handles.
15. Do NOT place a hot spark screen guard or hot fire pit tools onto combustible surfaces such as grass, wooden deck or furniture.

**REALSTONE**  
GRANITE FIRE PITS

Questions or comments? 226-237-2020 | [Sales@RealStoneGraniteProducts.com](mailto:Sales@RealStoneGraniteProducts.com)

**Save these instructions for future reference.  
If you are assembling this unit for someone else,  
Give this manual to him or her to read and save for future reference.**